



XT870H

XT870H

BACKHOE LOADER

挖掘装载机



破碎锤
Hammers



雪犁
Snow Plough



四合一铲斗
4 in 1 Bucket

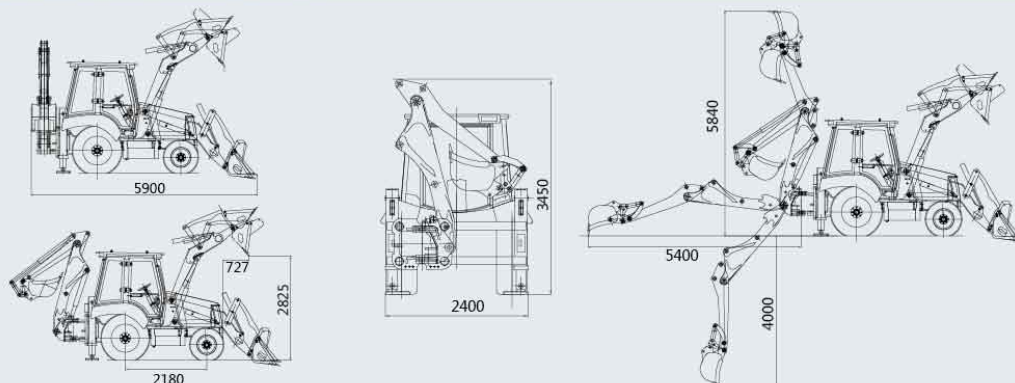


螺旋钻
Augers



挖掘装载机
BACKHOE LOADER

XT870H

挖掘装载机 BACKHOE LOADER


项目	Description	参数Specifications		单位Unit	
整机工作质量	Working weight	9000		kg	
外形尺寸(长x宽x高)	Overall dimensions(LxWxH)	5900×2400×3450		mm	
最高车速(前进/后退)	Max.travel speed	40		km/h	
轴距	Wheel base	2180		mm	
转弯半径	Turning radius	3780		mm	
轮胎规格(前/后)	Tires(F/R)	(前) 14-17.5/(后) 19.5L-24			
发动机	Engine	额定功率	70	82	kW
		额定转速	2200	2200	r/min
		型号	TD2268-4IG2	CumminsQS84.5	
		型式	水冷、四缸、四冲程直喷式	中冷、电控、高压共轨	
		排量	4.156	4.5	L
标定功率燃油消耗率	Adopt to efficient hydraulic system	230	235	g/Kw.h	
装载装置	Loading installment	铲斗容量	Bucket capacity(heaped) 1.0		m³
		最大卸载高度	Dumping clearance 2825		mm
		最大卸载距离	Dumping reach 727		mm
		掘起力	Break-out force 42		KN
挖掘装置	Excavation installment	挖斗容量	Digger capacity 0.2		m³
		最大挖掘深度	Max.digging depth 4000		mm
		最大挖掘半径	Max.digging radius 5400		mm
四合一铲斗和液压锤可根据用户需要配置 Four in bucket and hydraulic hammer can be configured according to user needs					

性能特点

XT870H是集铲装装载机于一体的多功能工程机械。是双斗、前卸、整体、挖臂侧移、轮胎式挖掘装载机。采用国外流行的整体式结构，整机布局合理紧凑，造型美观，操纵舒适方便、转弯半径小、工作性能好、性价比高。它广泛用于市政、建筑、油田、水利、林场、军事工程等工程项目的施工，它可以从事挖掘、铲装、运载和平整场地等多项作业，并可对大中型企业的废料堆和废渣排除等进行灵活快捷的作业，是实现一机多用的理想机型。

- 箱、桥均采用进口元件，提高了整机的可靠性。
- 行驶速度快，转弯半径小。采用整体式车架，提高了作业和行驶的稳定性和耐用性。采用高效液压系统，系统压力达到21Mpa，提高了整机的作业能力。
- 最高车速达40 km/h，提高了整机的生产效率。
- 采用隔音、隔热、减震的全采光驾驶室，提高了操作环境的舒适性，提高了良好的视野。
- 操作简便，可在行进中换挡，装载机为单杆操纵，挖掘为双杆操纵，挖掘部分可侧移，极大扩大挖掘范围。

Excavating Loader XT870H is a kind of multifunctional construction machinery with following advantages: XT870H backhoe loader is a kind of multi-functional engineering machinery involving both loading and excavating. It is the wheeled machine of the integral frame with side shifting in the digging device. Reasonable and compact layout, beautiful shape, comfortable and convenient operation, small turning radius, good work capability, and higher cost performance. It is widely used in municipal administration, construction, oil field, water conservancy, forestry, military engineering, and other project construction. Also it can work on excavating, shovel loading, carrying, leveling and so on, which makes flexible and efficient operation on exclusions of waste dumps and industrial waste in large and medium-side enterprises. It is a perfect machine to do variable works.

- Imported components such as boxes, bridges and hydraulic system improve the reliability of the machine.
- High driving speed and small turning radius intergrated frame improves operating and driving stability. Adopt to efficient hydraulic systems system pressure reach 21Mpa, which improves the reliability of the machine.
- The maximum speed is 40km / h, increasing machine productivity.
- The cab have a good range of vision, with functions of sound insulation, heat insulation and shock absorption, improving the comfortability of operating environment.
- Operators can change the shift at work. Loading hopper is controled by the single swinging boom while excavating hopper by the double swinging booms. Sidsway excavation installment expanded the scope of excavation Greatly.

随技术进步，产品结构、配置参数、外观颜色将不断改进，恕不另行通知。样本信息与实物存在差异的，以实物为准。

Structure specification and appearance colors are subject to change without notice. In case there is any difference between the description of the machine and the substantial machine, the substantial machine should govern.