

For more information on XCMG products, dealer services,
and industry solutions, visit us on the web at www.xcmg.com

Jan 1, 2014
All Rights Reserved

Materials and specifications are subject to change without notice.
Featured machines in photos may include additional equipment.
See your XCMG dealer for available options.

apply to all similar docs: XCMG, WWW.XCMG.COM, their respective logos, "XCMG For Your Success",
as well as the corporate and product identity used herein,
are trademarks of XCMG and may not be used without permission.



XUZHOU CONSTRUCTION MACHINERY GROUP IMP. & EXP. CO., LTD



XCMG Headquarters, Xuzhou Economic Development Zone,
Jiangsu, China 221004



(+86-516) 87739230



XCMG Regional Departments:

West Asia & North Africa	(+86-516) 87739251	87739202	87739223
Asia-Pacific	(+86-516) 87739500	87739529	87739233
Central Asia	(+86-516) 87739218	87739239	87739510
North America	(+86-516) 87739285	87739551	87739713
South America	(+86-516) 87739196	87739714	87739187
Africa	(+86-516) 87739501	87739222	87739709
Europe	(+86-516) 87739238	87739271	87739228



export@xcmg.com



WWW.XCMG.COM



XCMG For Your Success

Engine model	Cummins QSM11-C290(Tier3)
Rated power (kW/min)	216
Operation mass (kg)	23500
Rated bucket capacity (m ³)	4.2
Total cycling time (s)	10.8

LW700K

WHEEL LOADER

LW700K

Wheel Loader

High productivity and low fuel consumption

High performance Cummins engine QSM11 (Tier3)

Imported CUMMINS-QSM11 turbocharged, A/A inter-cooled Efi engine with electric start/flameout. It has a high torque reserve coefficient, which provide the engine with strong traction force and quick hydraulic response.

Power: 216KW (290HP)/2100rpm

Low emission

It conforms with the environment requirements and provides clean emission, which meets the requirements of TIER-3 phase of Europe and USA regulations.

Low fuel consumption

Owing to the use of low noise and high torque engine and large capacity TC, the maximum efficiency is assured when driving at low travel speed, therefore the fuel consumption is significantly reduced.

ZF gearbox with KD function

Dual transmission system uses ZF-4WG electro-hydraulic gearbox, which are laid out in 4 forward and 3 rearward arrangement with electric shifting. It has KD function, which simplified operations, improved work efficiency and economy.

High efficient hydraulic system

The hydraulic system uses the pilot control, steering flow amplifying, work and steering converging technology, reduces hydraulic power consumption and energy, and improves the efficiency of hydraulic system.

The total time for these three machine performances together is short. The lifting time is less than 6s, the working efficiency is high.

Increased bucket capacity

Bucket capacity: 4.2/5.5 m³

Dumping height (main blade plate): 3200 mm

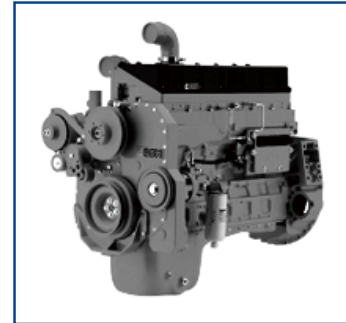
Rated bucket capacity: 4.2 m³

Dumping distance (main blade plate): 1268 mm

LWB/ 40° articulation angle

The widest WB and LWB enable the loader to have good stability both longitudinal and transverse. The articulation angle of the loader has achieved 40°, which allows efficient work even on the most difficult ground.

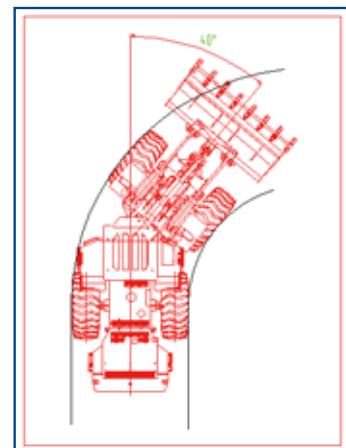
Tread	2360mm
Wheelbase	3450mm
Minimum turning radius (Calculated on the center of outward wheel)	5950mm



Flow amplifying valve



Dual pump convergence



High reliability

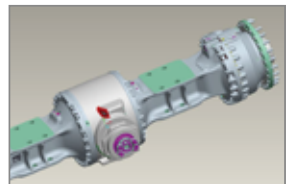
Key elements like the imported original Cummins engine, ZF drive axles, Rexroth hydraulic valve and Rexroth brake element etc., use international brands and is assembled under strict quality management, the reliability of machine is therefore assured.



Wet multi-disc brake and full hydraulic brake system

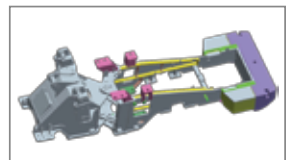
It means low maintenance cost and high reliability. The wet disc brake is completely enclosed, which efficiently prevents dirt from ingress and reduces wear and maintenance. It needs not to adjust the brake due to wear, hence the maintenance is further reduced. It is also unnecessary to adjust the new parking brake. The wet multi-disc brake has higher reliability and longer service life.

The brake system uses two independent hydraulic circuits and further improves reliability. If one of the circuits has failure, there will be a standby hydraulic system available. The full hydraulic brake means no air ingresses and no water condensation occurs in the system. Therefore no pollution, rust and freezing will be caused.



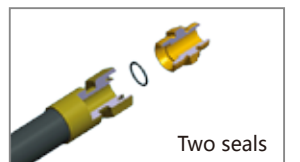
Solid frame and connecting rod mechanism

The solid front/rear frame and connecting rod mechanism are more robust and have been proven to bear the increased stress produced by the use of larger bucket. The design of the frame and connecting rod mechanism has met the loading requirements of actual constructions. The strength has also been validated by the computer simulation test.



Plain O-ring

The hydraulic pipeline uses the double seals of DIN international standard 24° conical O-ring to solve the leakage problem.

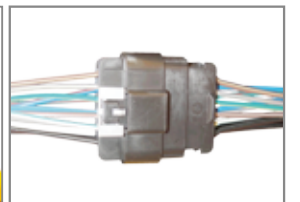


Two seals

Circuit connection by use of waterproof plug-ins

Use of waterproof plug-ins for the circuit connection improved the reliability and significantly improved the water and dustproof ability.

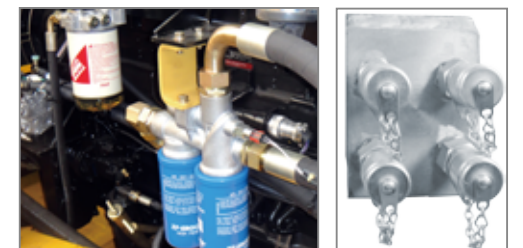
Two-stage filtration system with engine double air inlet enables the machine to perform under dusty condition, protects the engine from dust damage and prevents premature damages to the engine.



Easy maintenance

Easy maintenance of various consumable parts

Filter elements of the engine and gearbox are easy to maintain, whereby the time of maintenance is reduced.



Integrated pressure testing

Convenient for system test and maintenance

Centralized lubrication system

The centralized lubrication system overcomes the shortcoming by manual greasing, feeding a defined dose of grease to various lubricating points at set times, assuring constant normal operation at all friction points and significantly reduce maintenance time.

Operator's environment

Automatic gearbox with electro-hydraulic shifting

The gearbox with ZF electro-hydraulic shifting has N-gear start protection function, gear shifting lock and KD functions, therefore it is easy to control.

The single handle pilot control system reduces operating force and provides good comfort.

Steering system uses the double limit system. The hydraulic limit system precedes the mechanical limit system, which prevents the front/rear frames from mechanic impact when turning and extends the service life. In the meantime, it reduces the operator's fatigue.



Single handle control



Hydraulic limit system

New XCMG punching cab

It provides wide vision, good sealing and dumping performances. It is also equipped with air conditioning system, which provides a comfortable and safe operating environment. The back guide monitor system reduces rearview blind area and improves the operation safety.



The cab uses the new XCMP punching sealed cap and improves the sealing performance. It provides you with a safe, low vibrating, dustproof and comfortable operating environment. The exterior noise is also minimized.



Air conditioning system



Radio cassette recorder



Noise at ear of operator: 80dB(A)

Adjustable steering column

The operator can incline the steering wheel column, which can provide the operator with a more comfortable working environment.

Technical Specifications

LW700K

Item		Specifications		
Engine	Model	Cummins QSM11-C290(Tier3)		
	Type	Water cooling, 4xstrokes		
	Air breathing	Turbo-changed, air inter-cooled		
	Number of cylinders	6		
	Bore			
	Piston displacement	10.8L		
	Governor	Electronic variable-speed governor		
	Power	216kW(290HP)		
	Rated speed	2100rpm		
	Fuel system	Direct injection		
	Maximum torque	1478Nm@1400rpm		
	Lubrication system	Gear pump forced lubrication		
	Filter	Full-flow type		
Air filter	Dry (double filter elements with dust exhaust and indicator)			
Gearbox	Hydraulic torque converter	Type	Single stage, single phase, three-components	
		Types	Fixed shaft drive shifting	
	Gearbox	Travel speed	km/h(Calculated on the tire 26.5-25)	
			Forward	Rearward
			Gear 1	6.8
Gear 2	12.7	12.7		
Gear 3	27.6	27.6		
Gear 4	38	-		
Axle and main drive	Drive system	4 WD		
	Front wheels	Fixed and full floating		
	Rear wheels	Central pin support, full floating and 26° swing		
	Reduction gear	Spiral bevel gear		
	Differential gear	Common gear		
Brake	Final drive	Planetary gear, 1st class speed reduction		
	Service brake	Full hydraulic wet disc brake (4W)		
	Parking brake	Disc brake		
	Emergency brake	With parking brake as dual purpose		

LW700K

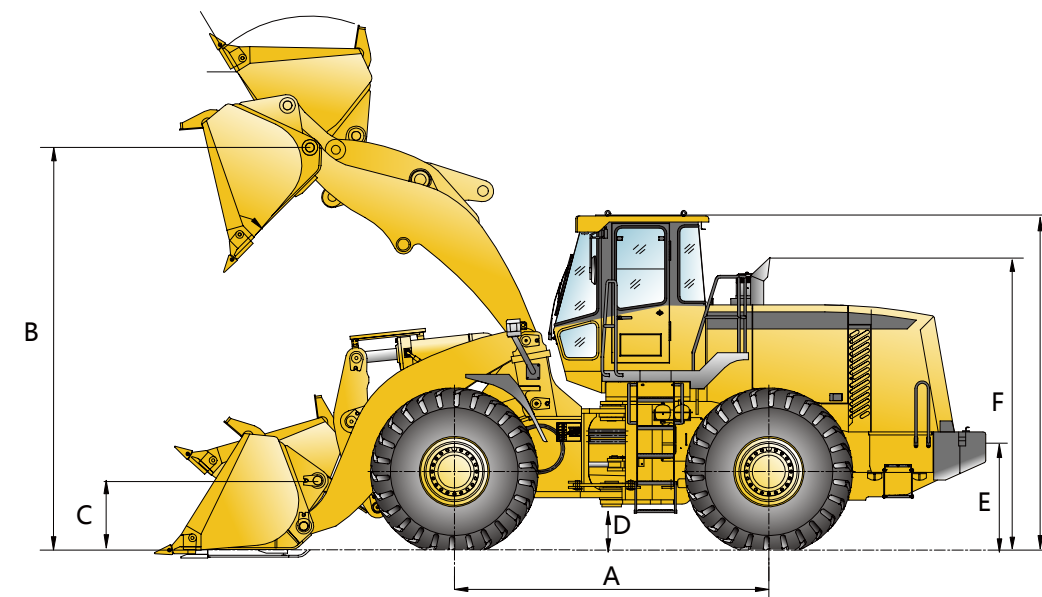
Wheel Loader

Technical Specifications

LW700K

Item		Specifications
Steering control system	Type	Hinged joint, full hydraulic power steering
	Turning angle	40° in two directions
	Minimum turning radius(Calculated on the center of outward wheel)	5950mm
Steering system	Hydraulic pump	Gear pump
	Maximum flow	168 l/min
	Safety valve pressure setting	19MPa
Steering cylinder	Type	Dual-action piston
	Number of cylinders	2
	Bore x stroke	115mm×445mm
Loading control	Hydraulic pump	Gear pump
	Rated flow	235.2+168 l/min
	Safety valve pressure setting	20MPa
Hydraulic system	Type	Dual-action piston
	Number of cylinders-bore x stroke	
	Working cylinder	
Working cylinder	Movable arm	2-180mm×805mm
	Rotating bucket	1-200mm×593mm
	Control valve	Single handle
Control position	Movable arm	Lifting, holding, lowering and floating
	Rotating bucket	Tilting back, holding and unloading
Working time of cylinder	Lifting	< 6 s
	Dumping	< 1.3 s
	Lowering(empty bucket)	< 3.5 s
Refilling capacity	Cooling system	60L
	Fuel tank	400L
	Engine	33L
	Hydraulic system	260L
	Drive axle (each)	42L
	Gearbox	64L

Overall Dimensions



Tread	2360	mm
Lateral width of tire	3070	mm
A Wheelbase	3450	mm
B Height of hinged shaft at maximum lifting range	4395	mm
C Height of hinged shaft at the loading time	270	mm
D Ground clearance	520	mm
E Height of towing pin	1350	mm
F Overall height (to the exhaust pipe)	3472	mm
G Overall height (to the cab)	3600	mm
H Dumping height (main blades)	3200	mm
I Dumping distance (main blades)	1268	mm

Main Specifications

Item	Specifications	Unit
Rated bucket capacity	4.2	m ³
Rated operating load	7000	kg
Operation mass	23500	kg
Max. breakout force	200	kN
Hydraulic cycle time-raise	6	s
Total cycling time	10.8	s
Tire type	26.5R25	
Dimension (LxWxH)	8900×3200×3600	mm