



We build a better future

Some of the photos may include optional equipment.

North America only

HYUNDAI LPG FORKLIFT TRUCKS **Applied Tier 4 Engine**

# 35/40/45/50L-7A







■ Some of the photos may include optional equipment.



# NEW criteria of Forklift Trucks

Hyundai introduces a new line of 7A series  
LPG forklift trucks.

Excellent power and performance make your  
business more profitable.



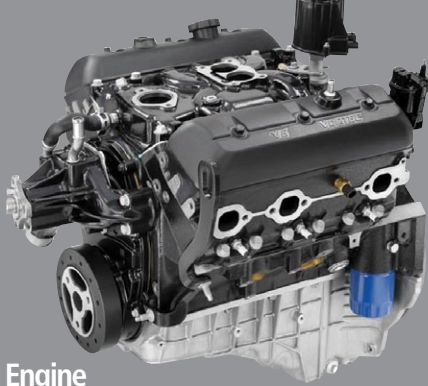
## OPSS (Operator Presence Sensing System)

Control of mast tilting, lifting and lowering is not possible through operation of the appropriate control when the operator is not in the seated position.

# The new master on the job-site!

Smooth running, efficient and ergonomically designed, 35/40/45/50L-7A series are made to meet your needs.

## 95.2HP/ 2,300rpm



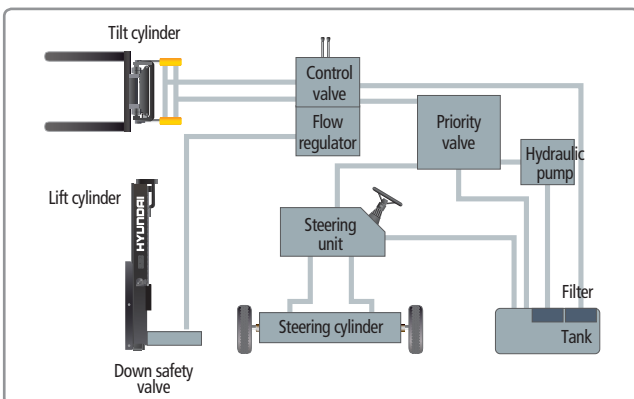
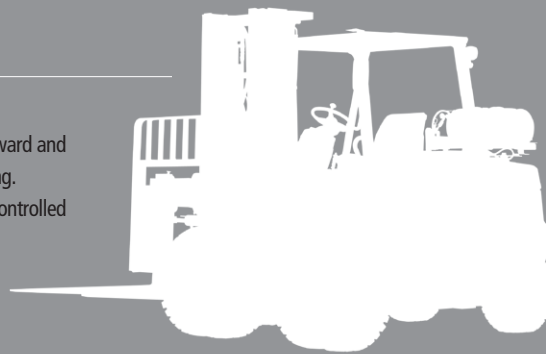
Powerful Engine

## GM 4.3L V6 Engine

Market approved quality of GM 4.3L V6 engine ensures incomparable performance, durability and additional value to the machine. Powerful and efficient engine provides excellent fuel economy and excellent torque for improved operation. (EPA/CARB Tier-IV Certified)

### Fast and Stable Performance

Being able to quickly raise and lower the mast, as well as tilt it forward and backward, provides the best operational conditions during unloading. When the truck is fully loaded, mast lowering speed is carefully controlled to ensure safety by the down control valve. Mast(Lift and Tilt) Look System is standard.



### State-of-the-art Hydraulic System

The latest large-capacity hydraulic system reacts quickly during operation, and a low-noise control valve increases both efficiency and durability.



### Fully Hydrostatic Power Steering

A hydraulic steering system always guarantees smooth and flexible steering, preventing overrun and kick-back.



# High Power Low Noise



■ Some of the photos may include optional equipment.



### Increased Mast Tilting Angle

Utilizing the mast tilting angle of 8 degrees forward and 10 degrees backward, the operator can safely and rapidly perform loading and unloading jobs.

### Faster Travel Speed & Better Gradability

The powerful high-output engine provides greater acceleration, better gradability and faster travel speed on any tough terrains or slopes.



### Gradability(Loaded)

35L-7A: 40.5%    45L-7A: 31.6%  
40L-7A: 36.2%    50L-7A: 28.7%

### Travel Speed(Unloaded)

35L-7A: 14.8 mph  
40L-7A: 14.2 mph  
45L-7A: 14.2 mph  
50L-7A: 14.2 mph

# Ergonomic operator friendly compartment design!

A design based on human engineering relieves fatigue and increases operator's efficiency.

## Operator Friendly Gauges and Water-resistant Monitor Panel



- ① Parking brake lamp
- ② Turn lamp
- ③ Engine oil warning lamp
- ④ Transmission oil temperature warning lamp
- ⑤ Battery charging warning lamp
- ⑥ Air cleaner filter warning light
- ⑦ Working light indicator
- ⑧ Seat belt warning
- ⑨ Water temperature gauge
- ⑩ OPS warning (option)
- ⑪ Hour meter
- ⑫ Engine check lamp



## Full Suspension Seat

An attractive and adjustable seat, based on a human engineering design, provides great comfort, safety and durability.



## New High Visibility for Safe Operation

The operator is able to work with increased safety and accuracy due to a wider view mast.



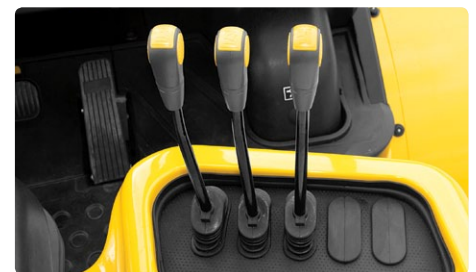
## Ergonomically Positioned Pedals

Based on human engineering, the accelerator, brake and inching pedals are optimally positioned for convenience while operating the equipment.



## Cup Holder & Console Box

Additional storage spaces are located inside the operating space for operator's convenience.



## Quick Response of Operating Control Levers

Only minimal operator's effort is required for precise, safe and productive control.





■ Some of the photos may include optional equipment.



### Adjustable Steering Wheel

Steering wheel with horn button can be adjusted by a lever on the right-hand side for the most comfortable operator position.



### Easy and Safe Shift Lever

A single lever on the left side of the steering column gives the operator fast, easy control of direction. The lever must be in the neutral position before the engine can be started.



### Secondary Horn

Secondary Horn gives access to lights and horn.

# Danger-free through high durability!

Safety and durability are priorities in design of the equipment.



## Strong Overhead Guard

The safety overhead guard meets ISO 6055 regulation and protects the operator during hazardous jobs.



## Parking brake

Ratchet type parking brake requires less effort the operator to set.

## Highly Durable Split type Drive Axle

The planetary reduction drive axle smoothly delivers desired torque to the drive wheels.



## Large Footboard & Hand Grip

Wide "open" step offers convenience and safety when entering and exiting truck.



## Expansion Bellows

The expansion bellows absorbs vibration and reduces noise generated from the exhaust system and also extends the life cycle of exhaust system.



## Electrically Monitored Air Filter

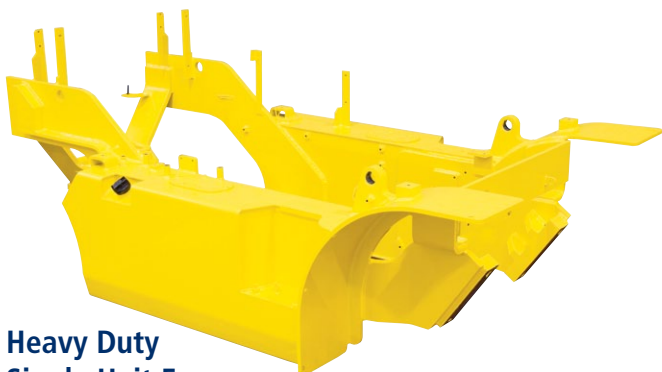
Air cleaner sensor alerts the operator of a restricted air filter and allows replacement before damage.







■ Some of the photos may include optional equipment.



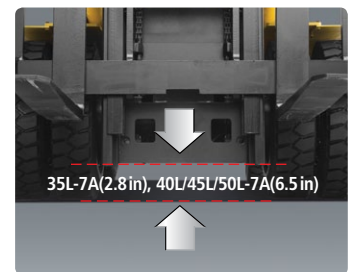
**Heavy Duty Single Unit Frame**

Heavy duty single unit type frame, designed on the basis of accurate structural analysis, guarantees durability and safety.



**Bright, Protected Headlights**

Bright, Protected head lights are positioned for exceptional visibility.



**Ground Clearance**

The engine and transmission are assembled horizontally and positioned high in the frame to protect major components during operation on rugged surface.



# Designed for quick and easy service!

An ideal arrangement of component parts ensures easy access and convenience for maintenance.

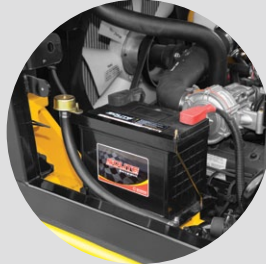


## Easy Change Air Cleaner

The air filter is readily accessible for cleaning or replacement. (6inch Cyclone Type)



## Fast Service Access for Daily Fluids Check



## Maintenance Free Battery



## Aluminum Radiator with Superb Protection Against heat



## Removable Side Panels for Ease of Service



## Easy access of electrical Components

Various electric parts are centralized in dash board resulting in improvement in maintenance.



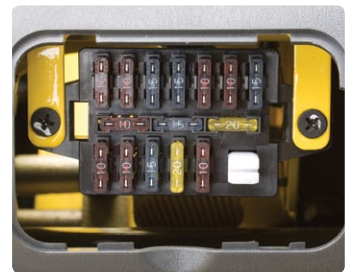
## Easy Maintenance Oil Check

The T/M oil level can be checked easily without any disassembly.



## Brake Fluid Reservoir

Highly visible, easily accessible reservoir makes for quicker daily inspections.

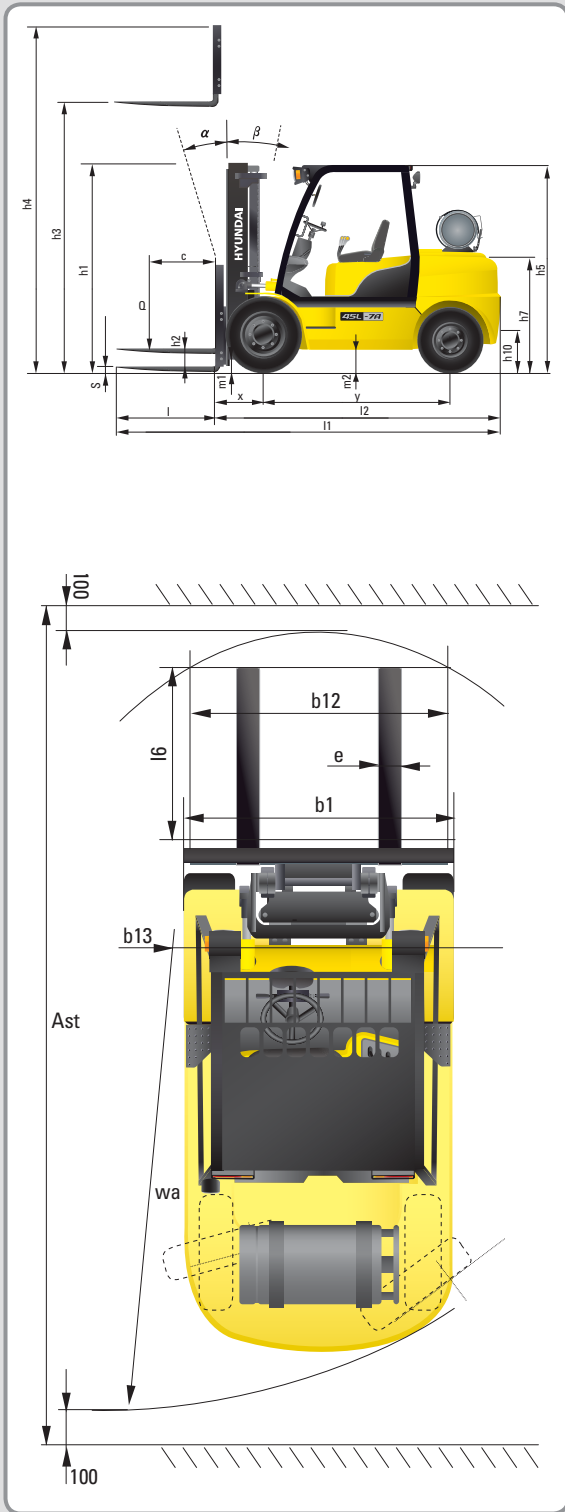


## An Accessible, Compact Fuse Box for Easy Inspection





## Dimension



## Specification

### Identification

1.1	Manufacturer	Hyundai	Hyundai	Hyundai	Hyundai
1.2	Manufacturer's type designation	35L-7A	40L-7A	45L-7A	50L-7A
1.3	Drive: electric (battery or mains), diesel, petrol, fuel gas, manual	LP	LP	LP	LP
1.4	Type of operation: hand, pedestrian, standing, seated, order-picker	seated	seated	seated	seated
1.5	Load capacity / rated load	Q (lb) 7,720	8,820	9,920	11,020
1.6	Load center distance	c (in) 24	24	24	24
1.8	Load distance, center of drive axle to fork	x (in) 22.1	22.1	22.1	22.7
1.9	Wheelbase	y (in) 78.7	78.7	78.7	78.7

### Weights

2.1	Service weight	lb 12,330	13,590	14,500	15,530
2.2	Axle loading, loaded front/rear	lb 18,000/2,040	20,050/2,360	21,810/2,620	23,620/3,020
2.3	Axle loading, unloaded front/rear	lb 5,810/6,520	6,110/7,480	6,130/8,380	6,200/9,320

### Wheels, Chassis

3.1	Tire: solid rubber, superplastic, pneumatic, polyurethane	Pneumatic	Pneumatic	Pneumatic	Pneumatic
3.2	Tires size, front (width x Φ)	8.25-15-14	7.50-16-12	7.50-16-12	7.50-16-12
3.3	Tires size, rear (width x Φ)	7.00-12-12	7.00-12-12	7.00-12-12	7.00-12-14
3.5	Wheels, number front x rear (x=driven wheels)	2 x 2	4 x 2	4 x 2	4 x 2
3.6	Track width, front	b10 (in) 44.6	50.5	50.5	50.5
3.7	Track width, rear	b11 (in) 44.9	44.9	44.9	44.9

### Basic Dimensions

4.1	Mast / fork carriage tilt forward / backward (α / β)	degrees	8 / 10	8 / 10	8 / 10	8 / 10
4.2	Lowered mast height	h1 (in)	88.0	86.6	86.6	86.6
4.3	Free lift	h2 (in)	4.7	4.7	4.7	4.7
4.4	Lift height	h3 (in)	118.9	118.9	118.9	115.4
4.5	Extended mast height	h4 (in)	166.3	166.3	166.7	163.3
4.7	Overhead load guard (cab) height	h5 (in)	86.6 / 88.2 / 92.1	86.6 / 88.2 / 92.1	86.6 / 88.2 / 92.1	86.6 / 88.2 / 92.1
4.8	Seat height / standing height	h7 (in)	43.3	43.3	43.3	43.3
4.12	Coupling height	h10 (in)	36.4	36.4	36.4	36.4
4.19	Overall length	l1 (in)	163.0	165.2	173.4	175.2
4.20	Length to face of forks	l2 (in)	120.9	123.0	125.4	128.0
4.21	Overall width	b1 (in)	53.9	68.5	68.5	68.5
4.22	Fork dimensions	s / e / l (in)	42.1 x 8.7 x 2.0	42.1 x 5.9 x 2.0	48.0 x 5.9 x 2.0	47.2 x 5.9 x 2.4
4.23	Fork carriage ISO 2328, class / type A, B		III / A	III / A	IV / A	IV / A
4.24	Fork-carriage width	b12 (in)	52.7	64.5	64.5	66.0
4.31	Ground clearance, loaded, under mast	m1 (in)	6.7	6.1	6.1	6.1
4.32	Ground clearance, centre of wheelbase	m2 (in)	205	205	205	200
4.33	Aisle width for pallets 1000x1200 crossways	Ast (in)	179.8	181.9	183.7	185.4
4.34	Aisle width for pallets 800x1200 lengthways	Ast (in)	187.7	189.8	191.6	193.2
4.35	Turning radius	Wa (in)	110.5	112.6	114.4	116.0
4.36	Smallest pivot point distance	b13 (in)	39.7	39.7	39.7	39.7

### Performance Data

5.1	Travel speed, Unloaded	mph	14.8	14.2	14.2	14.2
5.2	Lift speed, Loaded/Unloaded	fpm	100.4 / 104.3	100.4 / 104.3	100.4 / 104.3	100.4 / 104.3
5.3	Lowering speed, Loaded/Unloaded	fpm	98.4 / 88.5	98.4 / 88.5	98.4 / 88.5	98.4 / 88.5
5.5	Drawbar pull, Loaded	lb	8,820	8,960	8,660	8,620
5.7	Gradient performance, Loaded	%	40.5	36.2	31.6	28.7
5.10	Service brake		Hydraulic	Hydraulic	Hydraulic	Hydraulic

### Engine

6.1	Engine manufacturer / type		GM 4.3L	GM 4.3L	GM 4.3L	GM 4.3L
6.2	Engine power acc. to ISO 1585	HP	95.2	95.2	95.2	95.2
6.3	Rated speed	1/min	2,300	2,300	2,300	2,300
6.4	No. of cylinder / cubic capacity	/cm <sup>3</sup>	6 / 4,294	6 / 4,294	6 / 4,294	6 / 4,294

### Other Details

8.2	Type of drive control		Power Shift	Power Shift	Power Shift	Power Shift
8.3	Operating pressure	bar	210 / 150	210 / 150	210 / 150	210 / 150
8.4	Oil volume	litter	66	66	66	66
8.5	Noise	db(A)	85	85	85	85

**HYUNDAI FORKLIFT**  
CONSTRUCTION EQUIPMENT AMERICAS, INC.

6100 Atlantic Blvd, Norcross GA 30071  
TEL (877) 509 2254 FAX (678) 823 7778

PLEASE CONTACT