

We build a better future



■ Some of the photos may include optional equipment.

North America Only

FORKLIFT TRUCKS Environmentally - Friendly

15/18/20/23BRP-7 AC



Superior Power & Optimal Performance

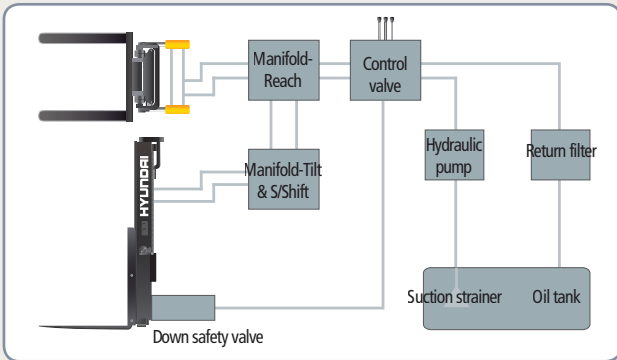
Smooth running, efficient and ergonomically designed, 15/18/20/23BRP-7 series are built to meet your needs.



Excellent Gradeability Operation & Anti Roll Back

A powerful drive motor and four wheel configuration provide for exceptional stability and excellent gradeability. When restarting after stop on a slope, an anti-roll back function ensure operational safety.

*Photo may include optional equipment.



State-of-the-art Hydraulic System

The latest large-capacity hydraulic system reacts quickly during operation and the low noise control valve increases both efficiency and durability.



Minimum Turning Radius

Compact design suitable for narrow aisle operation guarantees work efficiency and maximum space utilization.



Automatic Center Position at Starting

When the key is turned to the on position, the steering sensor detects the position of the drive wheel and automatically returns the wheel to the center position.



Versatile Reach Stroke

Multi-roller reach assembly provides for a smooth, controlled and safe load handling system, allowing for unsurpassed versatility during extended reach.



Dual Articulating Load Wheel

Incorporating Dual Articulating Load Wheels ensures safety for travel and absorbs the shock when traveling on irregular ground.



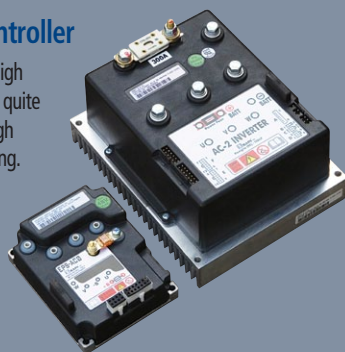
■ Some of the photos may include optional equipment.

High Technology ZAPI Controller

The efficient, almost noiseless, 8Khz(high frequency) controller provides smooth quite operation and protection for low & high voltage, overheating and fault recording.

Energy Efficiency

- H(High) mode : 100%
- N(Normal) mode : 110%
- E(Economic) mode : 120%



Drive Motor & Pump Motor

AC motors are designed for optimum reliability and efficiency while providing low noise levels. The AC motors are equipped with temperature sensors to ensure long motor life.



■ Some of the photos may include optional equipment.



Self - diagnostic LCD Monitor

The LCD monitor has a back-light system to provide a clear view of the system's operation in all environments.

The monitor provides information about operation error, system fault, battery level, hour meter plus other various functions.

Cup Holder, Console Box & Storage Space

Additional storage compartments are located inside the operating space for operator's convenience.



Comfortable Operation

A design based on human engineering relieves fatigue and increases operator's efficiency.



Newly Designed Steer Control Handle

A newly designed steering control coupled with our new Electric Power Steering control gives the operator exceptionally smooth and controlled steering for tight spaces.



New High Visibility for Safe Operation

The operator is able to work with increased safety and accuracy due to a wider mast view.



Joystick Lever

Minimal operator effort is required for precise, safe and productive control. The lever's contoured design and cushion armrest provide added comfort during operation.



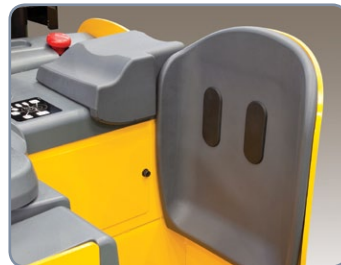
Perfect Fit For Busy Operations

An ergonomically designed operator's compartment enables the driver to select the most comfortable working position for increased productivity.



Strong Overhead Guard

The safety overhead guard meets EEC and ANSI regulations and protects the operator during hazardous work.



Adjustable Backrest & Arm Pad

A large and soft cushion pad are positioned for operator's safety and comfort.



Non Slip Floor Mat

A heavy, vibration dampening, floor plate suspension mat reduces operator fatigue and allows for increased productivity.

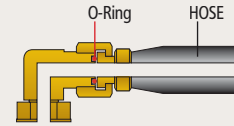


Protection Fence

Protection fence installed between mast and operator room for safety.

Durability, Ease of Maintenance

An ideal arrangement of component parts ensures easy access and convenience for maintenance.



ORFS (O-Ring Face Seal)
ORFS type hose prevents the leaking of hydraulic oil.



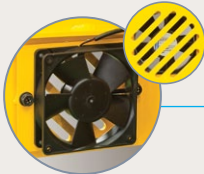
Hydraulic Return Oil Filter is Easily Accessible



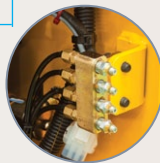
Concentrated Fuse Box for Easy Inspection



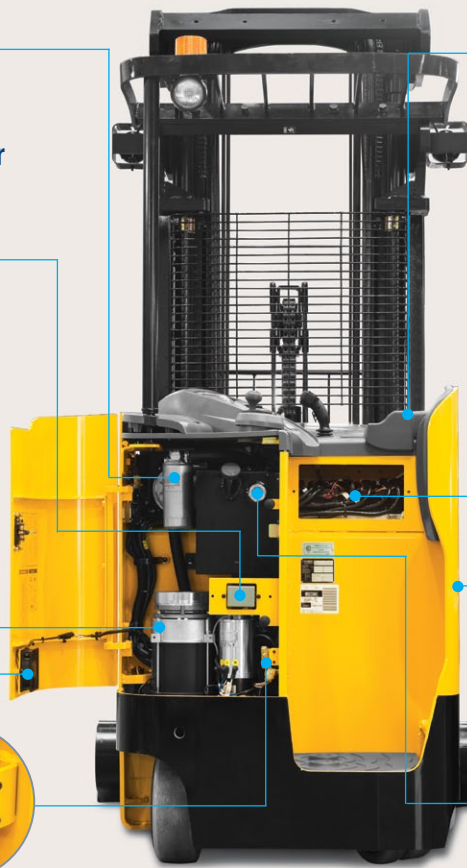
Electromagnetic Brake



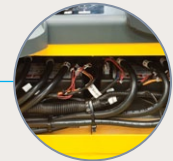
Cooling Fan



Grease Fillings



Battery Disconnect Lever & Emergency Switch



Reliable ZAPPI AC Controller



Easy Battery Replacement



Hydraulic Oil Level Gauge



High Visibility Headlights & Rear Work Light



DC-DC Converter
DC-DC converter, satisfied with UL & CE, prevents from short circuit, overload and reverse polarity.

Battery Table

Battery Type	Battery Compartment Size(Length) in	Battery Voltage Volt	Capacity (6 Hour Rate) Ah	Battery Dimensions			Battery Weight	
				Width(W) in	Length(L) in	Height(H) in	Min. Weight lb	Max. Weight lb
Type A	14.3	36	775	38.4	14.0	31.0	1598	2100
Type B	16.3	36	930	38.4	16.0	31.0	1878	2300
Type C	18.0	36	1085	38.4	17.7	31.0	2280	2800
Type D	20.7	36	1240	38.4	20.5	31.0	2601	3100

Load Tire Option

Mast Type	ø5x4" (ø127x101mm)	ø10.5x4" (ø267x101mm)	ø5x4" (ø127x101mm)	ø10.5x4" (ø267x101mm)	ø5x4" (ø127x101mm)	ø10.5x4" (ø267x101mm)	ø5x4" (ø127x101mm)	ø10.5x4" (ø267x101mm)
	15BRP-7	18BRP-7	20BRP-7	23BRP-7	20BRP-7	23BRP-7	20BRP-7	23BRP-7
TF500	●	-	●	●	●	●	●	●
TF530	●	-	●	●	●	●	●	●
TF610	●	-	●	●	●	●	●	●
TF685	●	-	●	●	●	●	●	●
TF760	●	-	-	-	●	-	●	●
TF815	●	-	-	-	●	-	●	●
TF865	●	-	-	-	-	-	●	-
TF930	●	-	-	-	-	-	●	-
TF1010	●	-	-	-	-	-	●	-

Mast Specification (15/23BRP-7)

Mast Type		Maximum Fork Height	Overall Height (Lowered)	Overall Height (Lifted)	Free Lift Height (With Backrest)	Over Headguard Height	Min. Outtrigger -I.D	Truck Weight - w/o Battery							
								"A" Type B.C 14.5" (369mm)		"B" Type B.C 16.5" (420mm)		"C" Type B.C 18.3" (465mm)		"D" Type B.C 21.1" (535mm)	
								15/23BRP-7	15/23BRP-7	15/23BRP-7	15/23BRP-7	15/23BRP-7	15/23BRP-7	15BRP-7	23BRP-7
		in	in	in	in	in	in	lb	lb	lb	lb	lb	lb	lb	lb
3-Stage Full Free Lift	TF500	198.9	89.0	246.9	41.0	88.4	34.0	6407	-	6479	6255	6521	6296	6526	6301
	*TF530	210.0	95.1	258.0	47.1	94.5	34.0	6510	-	6583	6358	6625	6398	6629	6404
	TF610	240.0	107.1	288.0	59.1	94.5	34.0	6885	-	6956	6731	6997	6773	7002	6777
	TF685	270.0	119.1	318.0	71.1	94.5	34.0	-	-	7198	6973	7240	7013	7244	7020
	TF760	300.0	130.9	348.0	82.9	94.5	34.0	-	-	7401	7176	7443	7218	7447	7222
	TF815	321.1	140.0	369.1	92.0	94.5	34.0	-	-	7557	6889	7597	7372	7604	7377
	TF865	341.0	149.0	389.0	101.0	94.5	40.0	-	-	-	-	7773	7549	7780	7555
	TF930	366.2	160.0	414.2	112.0	94.5	42.0	-	-	-	-	-	-	7968	7743
TF1010	400.0	172.0	448.0	124.1	94.5	44.0	-	-	-	-	-	-	8190	7965	

Mast Specification (18/20BRP-7)

Mast Type		Maximum Fork Height	Overall Height (Lowered)	Overall Height (Lifted)	Free Lift Height (With Backrest)	Over Headguard Height	Min. Outtrigger -I.D	Truck Weight - w/o Battery					
								"A" Type B.C 14.5" (369mm)		"B" Type B.C 16.5" (420mm)		"C" Type B.C 18.3" (465mm)	
								18/20BRP-7	18/20BRP-7	18/20BRP-7	18/20BRP-7	18/20BRP-7	18/20BRP-7
		in	in	in	in	in	in	lb	lb	lb	lb	lb	lb
3-Stage Full Free Lift	TF500	198.9	89.0	246.9	41.0	88.4	34.0	5893	-	5966	5966	-	6008
	*TF530	210.0	95.1	258.0	47.1	94.5	34.0	5961	-	6034	6034	-	6076
	TF610	240.0	107.1	288.0	59.1	94.5	34.0	6259	-	6332	6332	-	6374
	TF685	270.0	119.1	318.0	71.1	94.5	34.0	-	-	6501	6501	-	6543
	TF760	300.0	130.9	348.0	82.9	94.5	34.0	-	-	-	-	-	6671
	TF815	321.1	140.0	369.1	92.0	94.5	34.0	-	-	-	-	-	6768

* STANDARD

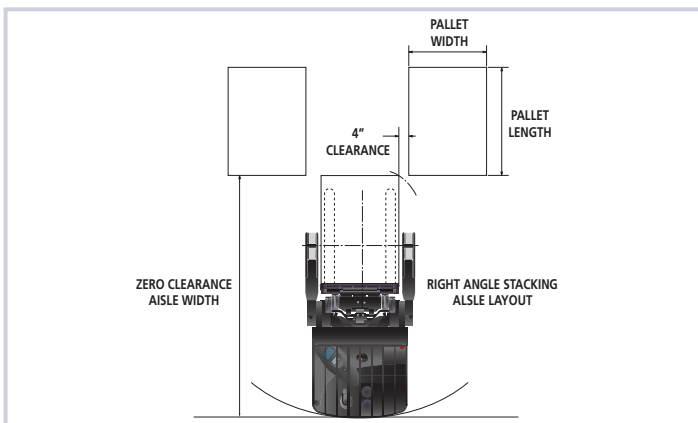
Right Angle Aisle Stacking - Zero Clearance

14.3" Battery Compartment and 42" Outtrigger I.D							14.3" Battery Compartment and 42" Outtrigger I.D							16.3" Battery Compartment and 42" Outtrigger I.D						
15BRP-7							18/20BRP-7							23BRP-7						
Pallet Length (inches)	Pallet Width (inches)						Pallet Length (inches)	Pallet Width (inches)						Pallet Length (inches)	Pallet Width (inches)					
	33"	36"	40"	44"	48"	33"		36"	40"	44"	48"	33"	36"		40"	44"	48"			
	36"	92	92	91	91	90		36"	84	84	83	83	82		36"	87	87	86	86	85
	40"	96	96	96	96	95		40"	89	89	88	88	87		40"	92	92	91	91	91
	44"	101	101	100	100	100		44"	93	93	93	92	92		44"	97	96	96	96	95
48"	105	105	105	104	104	48"	98	97	97	97	97	48"	101	101	100	100	100			

· Add 2" for 16.3" Battery Compartment
· Add 3.5" for 18.0" Battery Compartment
· Add 6" for 20.7" Battery Compartment

· Add 2" for 16.3" Battery Compartment
· Add 3.5" for 18.0" Battery Compartment

· Add 2" for 18.0" Battery Compartment
· Add 4" for 20.7" Battery Compartment



Optional Items

Outtrigger I.D

- 34", 36", 38", 40", 44", 46", 48", 50"

Integral Sideshift

- Max. 4.7"

UL

- UL "EE"

Beacon Lamp

- Amber, Blue, Red

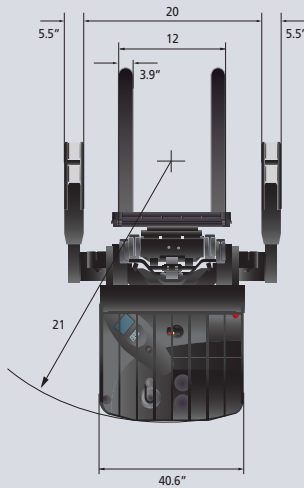
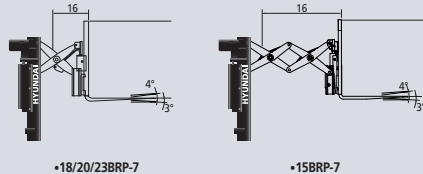
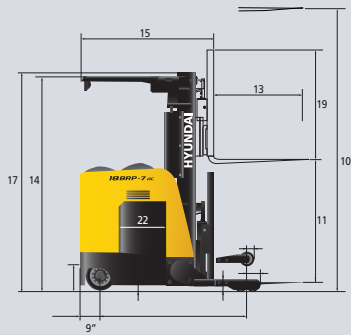
Rear Work Lamp

Fork (Length)

- 15/18BRP : 35.4", 37.4", 39.4", 45.3", 47.2", 53.2", 59.1", 63.0"

- 20/23BRP : 35.4", 39.4", 47.2", 53.2", 59.1", 65.0", 70.9"

Dimension



Specification

General Information

1	Manufacturer		HYUNDAI	HYUNDAI	HYUNDAI	HYUNDAI
2	Model	Manufacturer's Designation	15BRP-7	18BRP-7	20BRP-7	23BRP-7
3	Load Capacity * (1)	Max.	3,000	3,500	4,000	4,500
4	Load Center	Fork Face to Load CG	24	24	24	24
5	Power Unit	Type	36	36	36	36
6	Operator Type		Stand, D/ Reach	Stand, Reach	Stand, Reach	Stand, Reach
7	Tire Type	Load/Drive/Caster	Poly./Poly./Poly.	Poly./Poly./Poly.	Poly./Poly./Poly.	Poly./Poly./Poly.
8	Wheels (x=driven)	Front/Load/Rear	4/2 (1x)	4/2 (1x)	4/2 (1x)	4/2 (1x)

Basic Dimensions

10	Mast * (2)	Lift height - See Chart	in	210	210	210	210
11		Free Lift - See Chart	in	47.1	47.1	47.1	47.1
12	Fork	Overall Fork Width, Max.	in	30	30	30	30
		Overall Fork Width, Min.	in	9.4	9.4	9.4	9.4
		Thickness x width	in	1.57x3.94	1.57x3.94	1.77x3.94	1.77x3.94
		Length	in	41.3	41.3	41.3	41.3
15	Length to Fork Face * (3)	Battery Compartment * Type A"	in	57.7	50.2 * (4)	N/A	N/A
		Battery Compartment * Type B"	in	59.7	52.2	52.2 * (4)	54.0
		Battery Compartment * Type C"	in	61.5 * (4)	N/A	54.0	55.7 * (4)
		Battery Compartment * Type D"	in	64.2	N/A	N/A	58.4
16	Reach (Pantograph)	Stroke	in	42.8	23.3	23.3	23.3
17	Overall Height * (2)	Lowered - See Chart	in	95.1	95.1	95.1	95.1
18		Lifted - See Chart	in	258.0	258.0	258.0	258.0
19	Load Backrest Height		in	48	48	48	48
20	Outrigger ID	In 2" increments (34" - 50")	in	42	42	42	42
21	Turning Radius	in standard battery compartment	in	73.1	65.6	67.4	71.6
22	Battery Compartment * (4)	Length	in	18.0	14.3	16.3	18.0

Performance

23	Stability	According to ANSI		Yes	Yes	Yes	Yes
24	Speed - Travel	W/O Load	mph	7.3	7.3	7.3	7.3
25		Max. With Load	mph	7.3	7.3	7.3	7.3
26	Speed - Lift	Lift Speed, with Load	fpm	63.0	61.0	57.1	53.2
27		Lift Speed, without Load	fpm	88.6	88.6	90.6	90.6
28	Speed - Lower	Lower Speed, with Load	fpm	98.4	98.4	98.4	98.4
29		Lower Speed, without Load	fpm	88.6	88.6	88.6	88.6

Weights

34	Service weight	Including battery, less load, standard	lb	8,903	7,559	7,912	8,678
35	Axle loading	With Load, Front	lb	7,140	6,979	7,733	8,525
		With Load, Rear	lb	4,764	4,081	4,178	4,653
		W/O Load, Front	lb	3,504	2,828	3,017	3,355
		W/O Load, Rear	lb	5,400	4,732	4,895	5,322

Chassis

39	Tires/Wheels	Number, Load/Drive/Caster		4/1/2	4/1/2	4/1/2	4/1/2
40	Wheel Size	Front, Load Wheels	in	5x4	5x4	5x4	5x4
		Rear, Drive Wheel (Steer)	in	13.6x5.5	13.6x5.5	13.6x5.5	13.6x5.5
		Rear, Caster Wheel	in	7.0x2.9(178x73)	7.0x2.9(178x73)	7.0x2.9(178x73)	7.0x2.9(178x73)
41	Wheelbase	Battery Compartment * Type A"	in	59.4	55.1 * (4)	N/A	N/A
		Battery Compartment * Type B"	in	61.5	57.1	57.1 * (4)	59.9
		Battery Compartment * Type C"	in	63.2 * (4)	N/A	58.8	61.9 * (4)
		Battery Compartment * Type D"	in	65.9	N/A	N/A	64.4
44	Ground Clearance	With 5.0" diameter load wheels	in	2	2	2	2
46	Service Brake	Type		Electric Disc Brake	Electric Disc Brake	Electric Disc Brake	Electric Disc Brake
47	Parking Brake	Type		Automatic	Automatic	Automatic	Automatic
				Electric release	Electric release	Electric release	Electric release
	Steering	Type		Electric Steering	Electric Steering	Electric Steering	Electric Steering

Electric

48	Battery	Type		Lead Acid	Lead Acid	Lead Acid	Lead Acid
		Max. Amp -standard	Ah	1,085	775	930	1,085
		Min. Weight -standard	lb	2,280	1,598	1,878	2,280
49	Motors, Controls	Drive Motor, 60 Min Rating	hp	9.1	9.1	9.1	9.1
		Hydraulic Motor, 15% Rating	hp	21.4	21.4	21.4	21.4
		Drive & Hydraulic Motor control Type		AC	AC	AC	AC

*(1) Contact factory. Capacity may be subject to derating at height.

*(3) Add 2.6" with option side shift

*(2) Spec data is based on the standard mast (TF530, maximum fork height 210")

*(4) Standard battery compartment (type A: 18BRP-7, type B: 20BRP-7, type C: 15/23BRP-7)



6100 Atlantic Blvd, Norcross GA 30071
TEL (678) 823 7777 FAX (678) 823 7778

PLEASE CONTACT