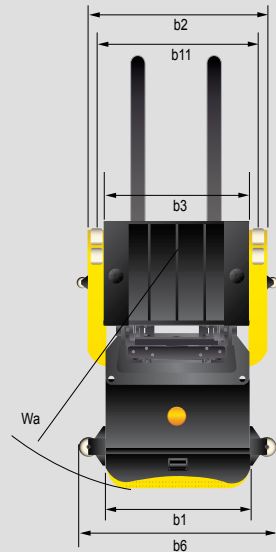
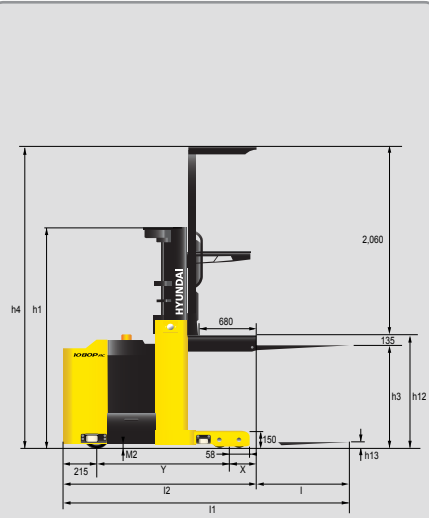


Dimension



Specification

■ Identification

1.1	Manufacturer	HYUNDAI	HYUNDAI	
1.2	Manufacturer's model designation	10BOP-7	13BOP-7	
1.3	Power supply(electric ,diesel,petrol,gas,manual)	electric	electric	
1.4	Type of operation(hand,pedestrian,standing,seated,order-picker)	order picker	order picker	
1.5	Load capacity / rated load	Q (lb)	2,205	3,000
1.6	Load center distance	c (in)	24	24
1.8	Load distance, center of drive axle(Loadwheel) to fork	x (in)	9.3	9.3
1.9	Wheelbase	y (in)	56.3	58.3

■ Weights

2.1	Service weight (Inc. battery)	lb	6,085	6,398
2.2	Axle loadings laden loaded and unloaded	lb	2,112 / 6,178	1,872 / 7,525
2.3	Axle loadings unladen loaded and unloaded	lb	3,415 / 2,670	3,583 / 2,813

■ Wheels,Chassis

3.1	Tires		Polyurethane	Polyurethane
3.2	Tire size drive end	in	12 x 5.5	12 x 5.5
3.3	Tire size load end	in	6.0 x 3.9	6.0 x 3.9
3.5	Wheels, numbers (x=driven wheels) drive / load		1 x / 4	1 x / 4
3.6	Track width (front) drive end	b10 (in)	0	0
3.7	Track width (rear) load end	b11 (in)	35.8, 43.7	35.8, 43.7

■ Basic Dimensions

4.2	Lowered Mast Height	h1 (in)	87.4	87.4
4.4	Lift height	h3 (in)	128.9	128.9
4.5	Height, mast raised (console / overhead guard)	h4 (in)	215.4	215.4
4.7	Height to top of overhead guard	h6 (in)	89.0	89.0
4.8	Platform height (h13+135mm)	h7 (in)	7.9	7.9
4.14	Picking height (h12+1,600mm)	h28 (in)	197.2	197.2
4.15	Height lowered (Fork Height)	h13 (in)	2.6	2.6
4.19	Overall length without load	l1 (in)	121.3	123.2
4.20	Length to front face of forks	l2 (in)	74.0	76
4.21	Overall width of chassis	b1 / b2 (in)	40.2 / 41.3(49.2)	40.2 / 41.3(49.2)
4.22	Fork dimensions	s/e/l (in)	1.6 x 3.9 x 41.3	1.6 x 3.9 x 41.3
4.25	Overall fork width	b5 (in)	23.1 / 25.6 / 28.0	23.1 / 25.6 / 28.0
4.26	Platform width	b3 (in)	40.2 (49.2)	40.2 (49.2)
4.27	Guide roller width	b6 (in)	see chart	see chart
4.32	Foor clearance, center of wheelbase 2	m2 (in)	2.0	2.0
4.33	Working aisle width, with 31.5 x 47.2 crosswise	Ast (in)	131.6	133.5
4.34	Working aisle width, with 47.2 x 31.5 lengthwise	Ast (in)	136.2	138.1
4.35	Outer turning radius	Wa (in)	69.6	71.6

■ Performance Data

5.1	Speed, loaded / unloaded	mph	5.9 / 6.2	5.9 / 6.2
5.2	Lift speed, loaded / unloaded	fpm	49.2 / 68.9	47.2 / 68.9
5.3	Lowering speed, loaded / unloaded	fpm	74.8 / 74.8	74.8 / 74.8
5.9	Acceleration time (over 10m)	sec	7	7
5.10	Brakes		electric release	electric release

■ E-Motor

6.1	Dirve motor rating S2 = 60min	kW	5.2	5.2
6.2	Lift motor rating at S2 = 15%	kW	10.6	10.6
6.4	Battery voltage, capacity K5	V/Ah	48 / 300	48 / 400
6.5	Battery weight 5% (dependent on manufacturer)	lb	1323	1609

■ Other Details

8.1	Drive control		AC	AC
8.4	Noise peak at operator ears	dB (A)	-	-



*Photo may include optional equipment.

North America only

HYUNDAI BATTERY FORKLIFT TRUCKS Environmentally - Friendly

10/13BOP-7 AC

HYUNDAI FORKLIFT
HEAVY INDUSTRIES CO.,LTD.

Head Office(Sales Office)
14th FL., HYUNDAI BLDG. 140-2, KYE-DONG, JONGNO-GU, SEOUL, KOREA 110-793
Tel (82) (2) 746-4609,4638 Fax (82) (2) 746-7444-7445

Americas Operation : Hyundai Construction Equipment Americas, Inc.
955 ESTES AVENUE, ELK GROVE VILLAGE IL,60007 Tel (1) 847-437-3333 Fax (1) 847-437-3574

Europe Operation : Hyundai Heavy Industries Europe N.V.
VOSSENDAAL 11, 2440 GEEL, BELGIUM Tel (32) 14-56-2200 Fax (32) 14-59-3405

PLEASE CONTACT

www.hyundai-ce.com

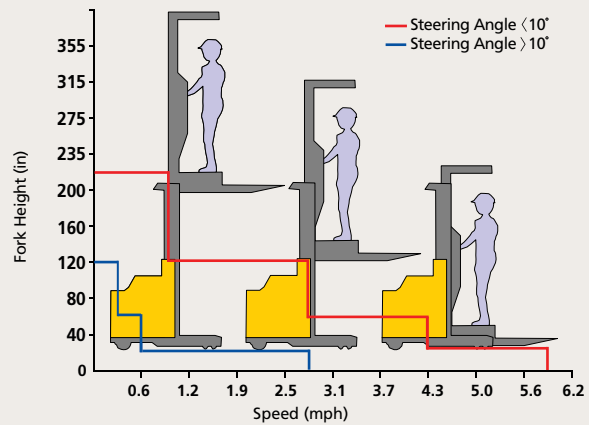
2011. 05 Rev. 0

HYUNDAI
HEAVY INDUSTRIES CO.,LTD.

We build a better future

Superior Power & Optimal Performance

Smooth running, efficiently and ergonomically designed, 10/13BOP-7 series are built to meet your needs.



Steering angle	Travel speed by platform height (mph)				
	0-24	0-60	0-120	0-215	0-360
S/ Angle $\lt; 10^\circ$	5.9	4.3	2.8	1	0
10° < s/ Angle $\lt; 45^\circ$	5.9-2.8	4.3-0.6	2.8-0.3	1.0-0	0

Travel Speed Control by Platform Height

Limit travel speed by steering angle - 10°~45° : Linearly reduce the maximum speed
Travel banned height is set for safety - over : 215 in



Electromagnetic brake controller parameters is mounted on the traction motor.



Minimum turning radius

Compact design suitable for narrow aisle operation guarantees work efficiency and maximum space utilization.

Brake System

Auto brake release during travel and incorporate spring return force to activate braking.



*Photo may include optional equipment.



Electric Power Steering(EPS)

EPS assures effortless steering allowing less fatigue to the operator. Machine performance and battery life are also enhanced.



Adjustable Pallet Clamp

Accommodates various pallet width openings. Convenient ratchet type pedal and lock pedal for locking and releasing pedal.



Guide Roller

Optional guide rollers assists operator when entering and exiting compact aisle configurations, enhancing a safe working environment.



Automatic Center Position at Starting

When the key ON, prox switch detects the position of drive wheel, and the wheel turns to the center position automatically.

High Technology ZAPI Controller

The efficient, almost noiseless, 8Khz(high frequency) controller provides smooth quiet operation and protection for low & high voltage, overheating and fault recording.

Energy Efficiency

- H(High) mode : 100%
- N(Normal) mode : 110%
- E(Economic) mode : 120%



Drive Motor & Pump Motor

Efficient AC motor guarantees reliability and an optimized motor design provides for low noise levels. Temperature sensor ensure long motor life.



*Photo may include optional equipment.

Comfortable Operation

A design based on human engineering relieves fatigue and increases operator's efficiency.



Steering Wheel

A newly designed steering control coupled with our new Electric Power Steering control gives the operator exceptionally smooth and controlled steering for tight spaces.

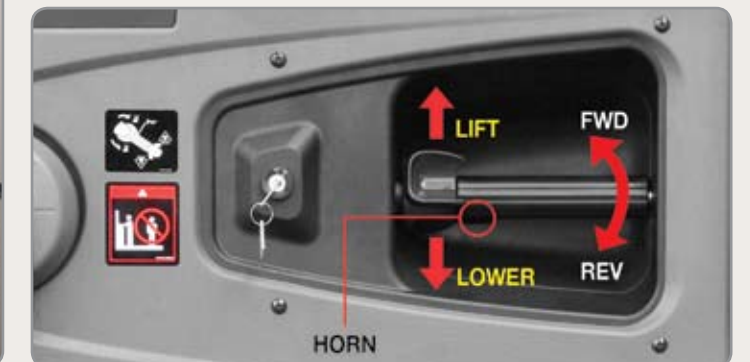


New High Visibility for Safe Operation

The operator is able to work with increased safety and accuracy due to a wider mast view.



Safety Belt & Side Bar



Multifunctional Control Lever

The control lever is designed ergonomically. The operator is able to control platform lift up and down, travel function and horn with one hand.



Self-diagnostic LCD Monitor

The LCD monitor has a back-light system to provide a clear view of the system's operation in all environments. The monitor provides information about operation error, system fault, battery level, hour meter plus other various functions.

Storage Box Space

Additional storage spaces are located inside the operating space for operator's convenience.



Strong Overhead Guard

The safety overhead guard meets EEC and ANSI regulations and protects the operator during hazardous work.



Low Profile Brake Release

Operator platform foot brake release needs minimal effort to engage to operate unit.



Convenience Devices

There are 3 devices for convenience.

- Operator room lamp
- Operator cooling fan
- Work lamp

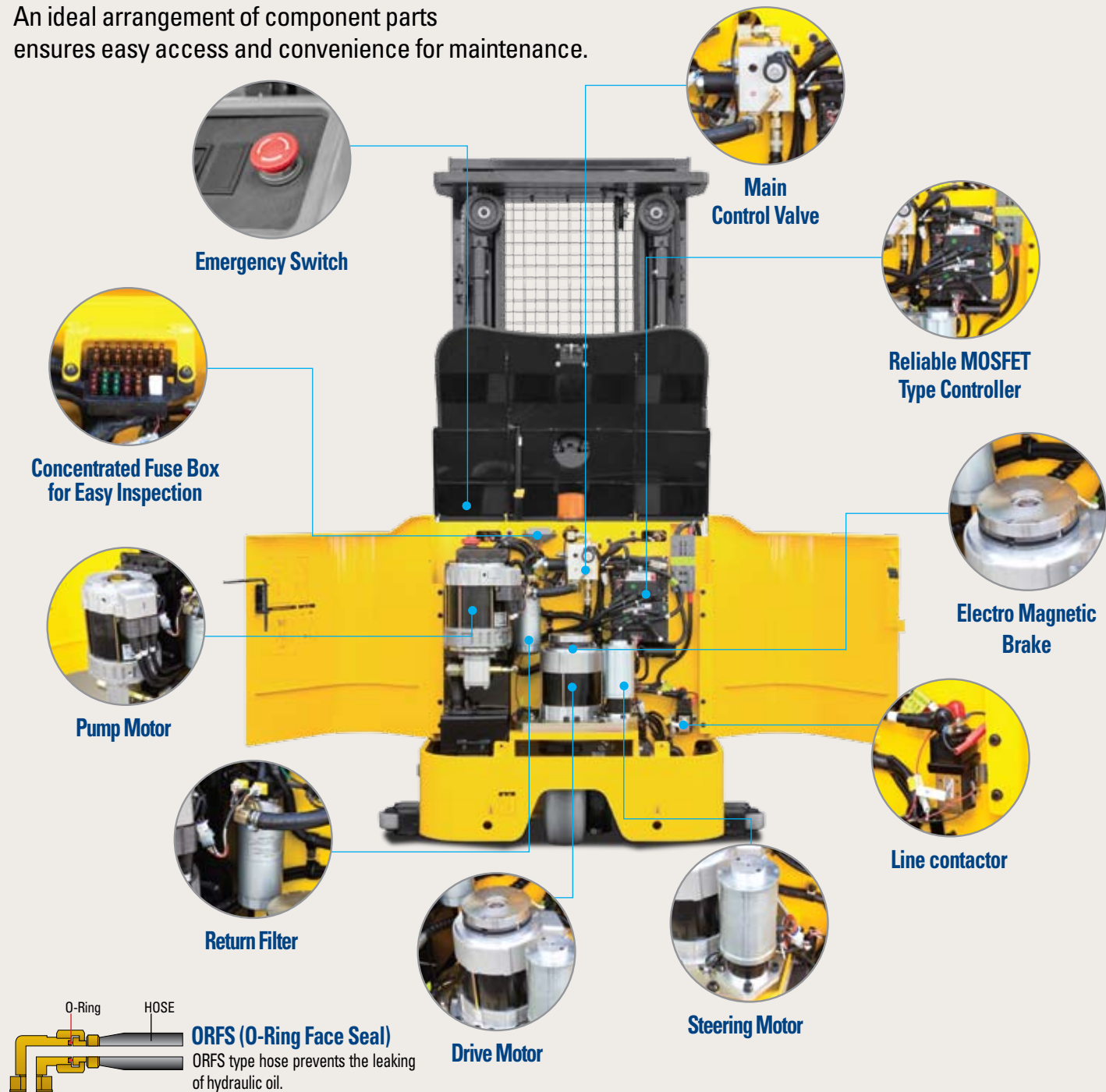


Pallet Clamp Pedal

It is easy clamp and release the pallet by pushing the pedal.

Durability, Easy Maintenance

An ideal arrangement of component parts ensures easy access and convenience for maintenance.



- Option**
- Fork(in) : 35.4, 41.3, 53.1, 59.1, 63.0
 - Guide Roller(Wide Frame) : 48.3in / 49.4(57.3)in / 50.4(58.3)in / 51.3(59.2)in
 - Pallet Clamp : Euro Pallet, Wood Pallet
 - UL(E)
 - Beacon lamp (Amber, Blue, Red)
 - Battery : 10BOP-7(400AH, Compartment) / 13BOP-7(500AH, Compartment)

Mast Specification (10BOP-7)

Mast Type	Maximum Fork Height	Overall Height (Lowered)	Overall Height (Lifted)	Free lift Height	Load capacity w/o side shift	Truck Weight (Unloaded)	
		With OHG	With OHG	With OHG	24in LC		
		10BOP-7	10BOP-7	10BOP-7	10BOP-7	10BOP-7	10BOP-7
		in	in	in	lb	lb	
2-STAGE LIMITED FREE LIFT	V325	128.9	87.4	215.4	0	2205	6086
	V355	140.7	93.5	227.2	0	2205	6143
	V415	164.4	105.5	250.8	0	2205	6254
	V475	188.0	117.5	274.4	0	2205	6366
	V535	211.6	129.3	298.0	0	2205	6589
3-STAGE FULL FREE LIFT	TF500	199.6	87.4	286.1	1.0	2205	6623
	TF530	210.8	93.5	297.2	7.1	2205	6700
	TF610	240.7	105.5	327.2	19.1	2205	6864
	TF685	270.8	117.5	357.2	31.1	2050	7150
	TF760	300.8	129.3	387.2	42.9	1984	7436
	TF815	321.9	138.4	408.3	52.0	1852	7558
	TF865	341.8	147.4	428.2	61.0	1698	7690
	TF930	367.0	158.5	453.4	72.0	1543	7950

Mast Specification (13BOP-7)

Mast Type	Maximum Fork Height	Overall Height (Lowered)	Overall Height (Lifted)	Free lift Height	Load capacity w/o side shift	Truck Weight (Unloaded)	
		With OHG	With OHG	With OHG	24in LC		
		13BOP-7	13BOP-7	13BOP-7	13BOP-7	13BOP-7	
		in	in	in	lb	lb	
2-STAGE LIMITED FREE LIFT	V325	128.9	87.4	215.4	0	3000	6397
	V355	140.7	93.5	227.2	0	3000	6454
	V415	164.4	105.5	250.8	0	3000	6565
	V475	188.0	117.5	274.4	0	3000	6677
	V535	211.6	129.3	298.0	0	3000	6900
3-STAGE FULL FREE LIFT	TF500	199.6	87.4	286.1	1.0	3000	6934
	TF530	210.8	93.5	297.2	7.1	3000	7011
	TF610	240.7	105.5	327.2	19.1	2668	7175
	TF685	270.8	117.5	357.2	31.1	2447	7461
	TF760	300.8	129.3	387.2	42.9	2205	7747
	TF815	321.9	138.4	408.3	52.0	2050	7869
	TF865	341.8	147.4	428.2	61.0	1896	8002
	TF930	367.0	158.5	453.4	72.0	1742	8262

Load Capacity

