



Comfortable & Safety

ROPS/FOPS canopy is designed for operator comfort, safety and excellent visibility to maximize productivity. Wide entrance of operator compartment, handles and non slip foot steps are provided for operator convenience.

Joystick lever



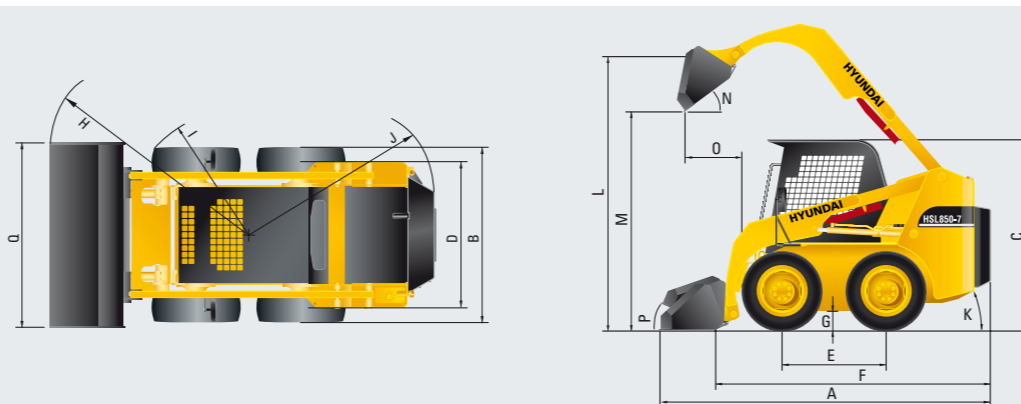
Simultaneous Control of Travel & attachment

Reliable safety device



The adoption of a double safety gear minimizes the occurrence of accidents. A safety lever is to stop all functions when the operator departs from the unit ; the hydraulic line is to be cut off when the key is removed. The parking brake is to be engaged by raising the safety bar.

DIMENSIONS



SPECIFICATION

DESCRIPTION	UNIT	HSL650-7	HSL850-7
Rated operating capacity	kg (lb)	650 (1,433)	840 (1,852)
Tipping load	kg (lb)	1,310 (2,888)	1,685 (3,715)
Operating weight	kg (lb)	2,690 (5,787)	3,290 (7,253)
Model	-	Kubota V2203M	Kubota V3300DI
Gross output	kW (PS)	32.5 (44.2)	50 (68)
Net output	kW (PS)	31.3 (42.6)	48.5 (66)
Rated speed	rpm	2,500	2,400
Cooling	-	Water	Water
Steering controls	-	2 Levers	2 Levers
Loader controls	-	2 Levers	2 Levers
Tires-standard	-	10-16.5,6PR	12-16.5,12PR
Max. travel speed	km/h (mph)	11.8 (7.3)	11.6 (7.2)
Loader pump flow	ℓ / mn (gpm)	69.3 (18.31)	67.0 (17.70)
Loader pressure	bar (psi)	175 (2,538)	175 (2,538)
A Length with bucket	mm (in)	3,270 (128.7)	3,470 (136.6)
B Width, less bucket	mm (in)	1,515 (59.6)	1,830 (72.0)
C Height to cap top	mm (in)	1,965 (77.4)	2,000 (78.7)
D Tread	mm (in)	1,255 (49.4)	1,500 (59.1)
E Wheelbase	mm (in)	990 (39.0)	1,100 (43.3)
F Length, less bucket	mm (in)	2,625 (103.3)	2,840 (111.8)
G Ground clearance	mm (in)	183 (7.2)	205 (8.1)
H Turn radius, bucket	mm (in)	1,935 (76.2)	2,080 (81.9)
I Turn radius, front tire	mm (in)	1,260 (49.6)	1,300 (51.2)
J Turn radius, rear and corner	mm (in)	1,560 (61.4)	1,660 (65.4)
K Rear departure angle	-	28°	28°
L Height to bucket pivot pin	mm (in)	2,915 (114.8)	3,080 (121.3)
M Max. dump height	mm (in)	2,240 (88.2)	2,410 (94.9)
N Dump angle	-	45°	45°
O Reach at max. dump	mm (in)	550 (21.7)	510 (20.1)
P Rollback at ground	-	27°	27°
Q Bucket width	mm (in)	1,625 (64.0)	1,894 (74.6)
Bucket cap. heaped	m ³ (ft ³)	0.31 (10.9)	0.37 (13.1)
Fuel capacity	ℓ (gal)	60 (16)	83 (22)
Hyd reservoir capacity	ℓ (gal)	38 (10)	57 (15)

STANDARD EQUIPMENT

- Hand throttle lever
- Direct cooling system
- Dual element aircleaner
- Aux. piping (3-spool)
- Joystick lever
- Bow tie drive chain
- Console
- Mold dashboard
- Canopy (ROPS/FOPS)
- Room mirror
- Vandalism Protection
- Spark arresting muffler
- Seat bar & seat belt

OPTIONAL EQUIPMENT

- Pre-cleaner
- Self levelling system
- Master switch
- Backup alarm
- Enclosure Cabin (ROPS/FOPS)
- Heater only
- Air conditioner & heater
- Air conditioner only
- Defroster
- Fenders & Mirrors
- Side mirrors
- Turn lamp



Some of the photos may include optional equipment.

HYUNDAI SKID STEER LOADER Applied Tier 2 Engine

HSL 650-7 / HSL 850-7

Power & Comfortable Operation



Increase front visual range



Foot rest



Centralized switches



Centralized dashboard



Multi-purposed storage box



ROPS / FOPS Canopy

ROPS : Roll Over Protective Structure
FOPS : Falling Object Protective Structure

Standard and optional equipment may vary. Contact your Hyundai dealer for more information. The machine shown may vary according to International standards. All US measurement rounded off to nearest pounds or inches.

PLEASE CONTACT

www.hyundai-ce.com

2012.10 Rev. 7

HYUNDAI
HEAVY INDUSTRIES CO.,LTD.
CONSTRUCTION EQUIPMENT

Head Office
1000 BANGGEOJINSUNHWAN-DORO, DONG-GU, ULSAN, 682-792, KOREA
TEL:(82)52-202-7722, 9807 FAX:(82)52-202-7720



9 99009 - 5 01040

HYUNDAI
HEAVY INDUSTRIES CO.,LTD.

NEW HYUNDAI SKID STEER LOADER HSL 650-7 / HSL 850-7



Some of the photos may include optional equipment.



Some of the photos may include optional equipment.

An ideal arrangement of component parts ensure easy access and convenience for maintenance.

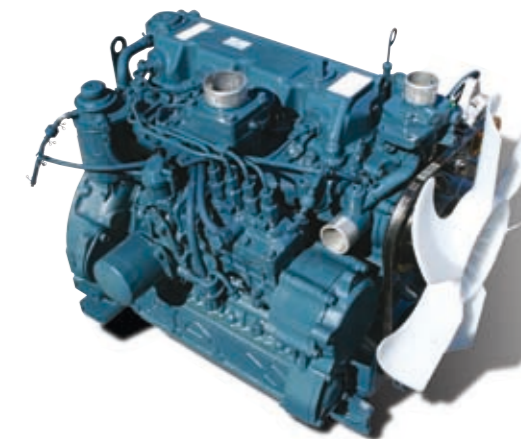
Emission Regulated Engine Environmental Friendly worldwide

Market approved quality of Kubota V2203M / V3300DI engine ensures incomparable performance, durability and additional value to the machine. Engine is more than enough to suit any work, not just with normal bucket but with special attachments requiring high power as well.



44.2ps/2,500rpm

KUBOTA V2203M ENGINE (HSL650-7)



68ps/2,400rpm

KUBOTA V3300DI ENGINE (HSL850-7)

HSL 650-7 / HSL 850-7



Quick engine access

A swing out tailgate opens the way to engine checks and fills, for the battery and oil drain. The oil cooler is removable to allow the radiator to be easily cleaned.



Centralized fuse box for easy inspection



Spark arresting muffler



Quick attachment system

Quick attachment device provides fast cycle time and easy operation.



Double safety canopy

Double locking system for canopy enables service to be safer while canopy is raised up open.



Boom Locking system

Loader cylinder locking bar is provided for service work.



Tilting canopy for easy access

Service technicians can get to hydraulic/hydrostatic components quickly by removing two nuts simply and lifting the canopy back. Gas spring for easier lift and locking device are installed.

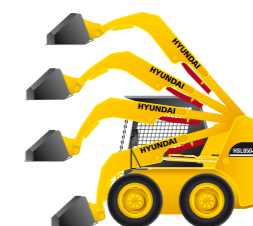


Hydraulic oil level gauge

Self levelling control system

The self levelling control system is available as option for lifting operations. When raising the loader boom, the bucket positioning valve directs the oil from the boom cylinder to the bucket cylinder to maintain the level of bucket automatically for more efficient load handling works. Operator can concentrate on maneuvering and lifting tasks for fast cycle times.

(Optional item)



Easy access for maintenance

Full open type canopy applied and control valve arranged on the upper position provides all pipes and relief valve easy access for maintenance.

